

## CashPlus Micro

CashPlus is a generic portfolio of cash drawers, and has been selected from over 10,000 designs to reflect the unparalleled quality and flexibility that is customary to all Cash Bases products. Each drawer offers unique features, configurable inserts and variable dimensions, suitable for any retail environment, anywhere in the world.

### DESCRIPTION

A unique design combining the footprint of a flip lid with all the functions of a front opening cash drawer.

### FEATURES

- n Robust steel construction
- n Steel ball bearing runners
- n Quick release mechanism
- n Quick release tray
- n Drawer status micro switch
- n Bolt down facility in base

### OPTIONS

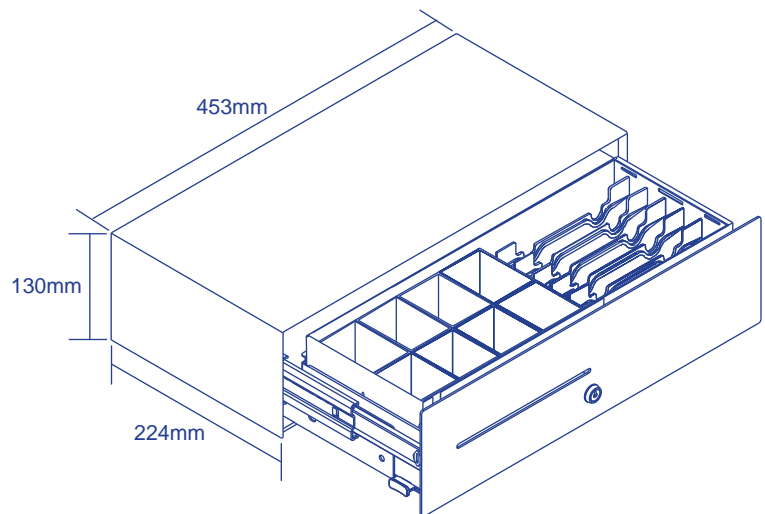
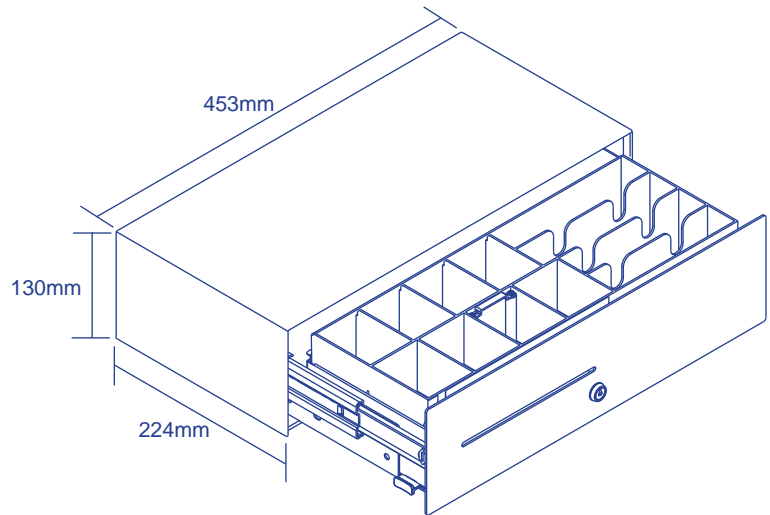
- n Wide range of plastic or steel inserts
- n Floppy note dividers to maximise note storage
- n Fixed or removable coin cups
- n Coin cups suitable for weigh counting
- n Media posting slot
- n Lockable lid for the insert
- n Emergency key release, 3 position or no lock
- n Alike or random locks
- n Support bracket for under counter mounting

### SPECIFICATION

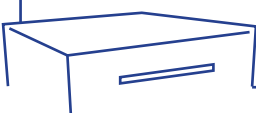
- n Width: 453mm
- n Depth: 224mm
- n Height: 130mm
- n Weight: 5kg

### IDEAL FOR

- n Fashion
- n Fast Food
- n Restaurants



UK/CASH-MICRO/0714



Specification may be subject to change without notification



800 729 0236  
www.logiscenter.us



0241 9550 9225  
www.logiscenter.de



01 82 88 44 70  
www.logiscenter.fr



020 3318 8265  
www.logiscenter.co.uk



0720 115814  
www.logiscenter.at



02 58 80 583  
www.logiscenter.be



911 433 048  
www.logiscenter.com



02 4792 1697  
www.logiscenter.it



308 800 842  
www.logiscenter.pt

## About LOGISCENTER

Logiscenter is the leading provider of automatic identification and data capture equipments. Our products include barcode printing and reading devices, mobile computing devices, wireless access points, identification cards, and consumables.

## Reasons to work with us

**Our customers come first.** Our objective is not only selling our products but also holding a long-lasting relationship with our customers, based on the benefits and advantages we create for you and your company.

**The best brands.** We offer products from the best manufacturers worldwide.

**Expert technical support team.** Our support staff are experts in the products we sell. But not just the products, they can tell you the best solution for your particular problem or need.

**Largest stock.** We have a permanent stock of more than 60,000 products.

**Same-day shipping.** For all orders placed and confirmed before 16:00 on working days.

**Best prices.** With Logiscenter, you can be sure that you are paying a fair price for your products, we will not overcharge you.

**Easy returns.** Damaged or defective products can be returned easily, for an exchange or reimbursement.



## All Brands Technical Service

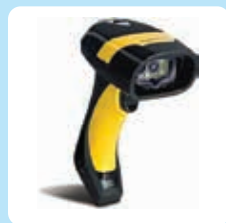
## Our Brands



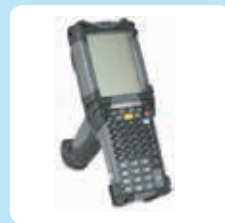
## Solutions for: Industry • Consumer • Mobility Transportation and Logistics • Retail • Health



Label printers



Barcode readers



Data terminals & PDA



PVC card printers



RFID



Consumables  
(labels, ribbons, PVC cards)